

Example of setup\*  
\* Depending on site configuration

## Product data

Space requirement	min. 2 x 6 m	
Surface requirement	We recommend rubber surface. Alternatives can be gravel.	
Power supply	input: 110 - 240v AC output: 24v DC	
Power consumption	Average when in use: 35 W	
Durability	Designed for permanent outdoors use and to be sturdy against impact and misuse.	
Setup	Customizable	
Guarantee	Electronics:	2 years
	Steel:	5 years
Materials	Arc:	Stainless steel powdercoated
	Electronics:	7 sensors with wifi. Display 16,5"
	Game Controller:	Powder Coated Steel

Color option \*



\* opportunity for custom color, please contact PlayAlive for options



Age group  
+ 5 years



Dimension  
min. 13 m²



Amount of  
players  
up to 8



Online  
Will be updated  
with new games  
and more

## Activities



Movement



Teamwork



Thinking



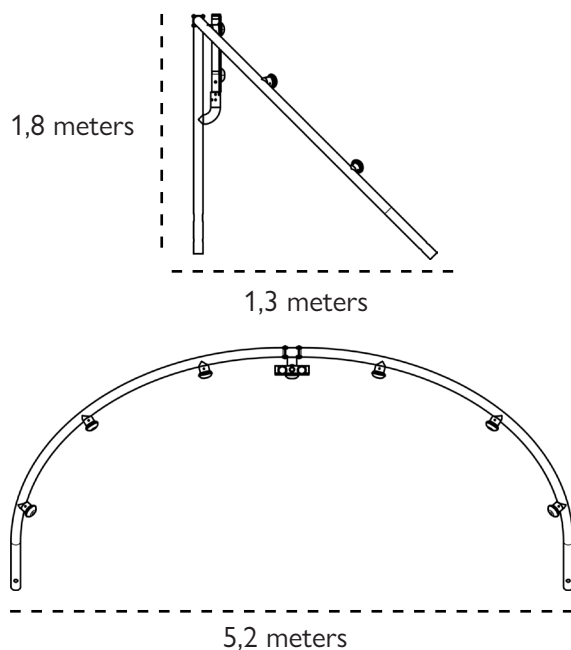
Strategy



Sound/ Music



Learning



SCAN ME





Close-up of screen, "Blocks" gameplay.

The Wave and its included activities are designed to create physical activity while playing and having fun. Here physical activity and the game world is combined.

This gives children and adults a supplement for their daily gaming desire, while also creating movement in the player, both with single-player and multiplayer.

The different activities will challenge children and adults in different ways, for instance their ability to work together or their competitiveness.

The Wave is an always online platform, therefore new activities can always be uploaded and the system can be tracked for insights in usage.

## Activities on Wave

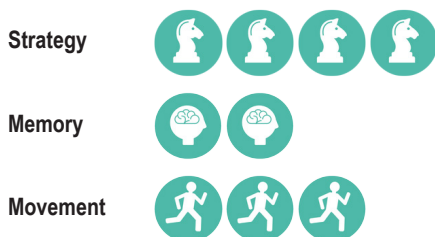
### Agent

Players are assigned missions that require cooperation, communication and, not least, movement.



### Blocks

Players are rewarded for combining one or more blocks of the same color. This game can be thought of as Tetris with a twist.



### Versus

Players compete against each other. The battle to capture your colors quickly becomes intense and challenging.



### Quiz

Different categories run across the screen. All contain fun and educational questions. Answer by tapping the sensor units on the Wave.

